

QUICKLY CHECK-
IN WITH THIS
LOW-PROFILE
CONVEYOR AND
LARGE TUNNEL
FOR UPRIGHT
BAGGAGE
SCREENING.

UPRIGHT BAGGAGE SCREENING

EASY LOADING CONVEYOR

NETWORK ENABLED

COST EFFECTIVE

STANDARD FEATURES

- Multi Energy Imaging (4 Color)
- View Previous/Next Bag
- Image Archive
- Configurable Image Processing Keys
- Baggage Counter
- Date / Time Display
- Search Indicator
- UPS (Uninterrupted Power Supply)
- Multi Language Support
- Flat Panel Monitor

STANDARD IMAGE PROCESSING FUNCTIONS

- Crystal Clear™
- Black and White
- Organic / Inorganic Stripping
- Inverse Video
- High Penetration
- Pseudo Color
- Low Penetration
- Variable Edge Enhancement
- Variable Color Stripping
- Variable Gamma
- Variable Density
- Dynamic Continuous Zoom & Panning
- Fixed Zoom (64x)



Tunnel Opening (width x height):
550 x 850 mm (21.7 x 33.5 in)

WITH A HIGH TUNNEL OPENING AND A LOW CONVEYOR, THE RAPISCAN 624XR IS DESIGNED FOR EASY LOADING AND UNLOADING OF UPRIGHT BAGGAGE.

The 624XR's dual-energy detection provides material discrimination so that screeners can identify the material composition of a scanned object, while its compact footprint allows customers to make the most of the available space at a checkpoint.

DETECTION OF EXPLOSIVES AND NARCOTICS ALERT

Target™ and NARCSan™ are designed to assist operators in the detection of a range of explosives and narcotics respectively in real time during the scanning process by marking a potential threat on the X-ray image. Rapiscan detection algorithms are based on regulatory material analysis techniques.

REGULATORY COMPLIANCE

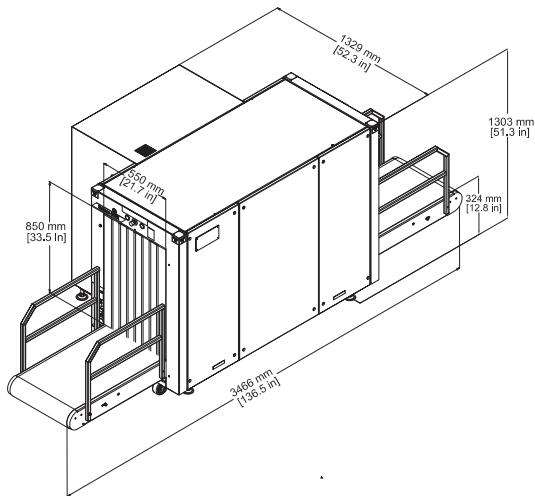
Rapiscan 624XR performance is in full compliance with the European Union regulations (EC) No. 300/2008, (EU) No. 2015/1998 and Commissions Decision C (2015)8005 for aviation security.

EASE OF USE PROVIDING HIGHEST THROUGHPUT

With over 13 image processing tools and detection alert algorithm function, the feature rich software allows the operator to more easily and accurately search for contraband.

RAPISCAN 624XR

Rapiscan[®]
systems
An OSI Systems Company



PHYSICAL SPECIFICATIONS

Dimensions:	Length: 3,466 mm (136.5 in.) Width: 1,329 mm (52.3 in.) Height: 1,303 mm (51.3 in.)
Tunnel Size:	550 mm (W) x 850 mm (H) (21.7 x 33.5 in.)
Conveyor Speed:	0.20 m/sec (39.4 ft./min)
Conveyor Load (Max):	165 Kg (364 lbs) evenly distributed
Conveyor Height:	324 mm (12.8 in.)
Weight (Approx.):	Net: 709 Kg (1,563 lbs)
System Power:	115/230 VAC ±10%, 60/50Hz

STANDARD X-RAY GENERATOR AND IMAGE PERFORMANCE¹

Steel Penetration:	30 mm typical; 28 mm standard
Wire Resolution:	40 AWG typical; 38 AWG standard
Generator Cooling:	Sealed oil bath with forced air
Anode Voltage:	Operating at 140kV
Tube Current:	0.7 mA
Orientation:	Horizontal

HIGH PENETRATION X-RAY GENERATOR AND IMAGE PERFORMANCE¹

Steel Penetration:	40 mm typical; 35 mm standard
Wire Resolution:	40 AWG typical; 38 AWG standard
Anode Voltage:	Operating at 160kV
Tube Current:	1.0 mA

OPERATING ENVIRONMENT

Storage Temperature:	-20°C to 50°C
Operating Temperature:	0°C to 40°C
Relative Humidity:	5 to 95% non-condensing

PROTECTION CLASS

System:	IP20
Operator Control Panel:	IP43 ²

REGULATORY

- TSA Air Cargo Screening Technology List (ACSTL) Qualified
- Regulation (EC) No. 300/2008 Compliant
- Regulation (EU) No. 2015/1998 Compliant
- EU Commissions Decision (EU) C(2015)8005 Compliant
- French Civil Aviation Authority (STAC) Certified

HEALTH & SAFETY

Rapiscan Systems' cabinet X-ray products comply with all applicable U.S. FDA and equivalent international regulatory agency requirements, contained in the cabinet X-ray radiation safety performance standard [21 CFR 1020.40] and the general performance standard [21 CFR Part 1010] as well as IEC standard 61010-2-091.

Rapiscan baggage and parcel inspection systems radiation emission leakages are well below the required regulatory limits with less than 1 µSv/hr at 10 cm from all surfaces of cabinet X-ray.

OPTIONS AND ACCESSORIES

- Explosives Detection Alert (Target™)
- Narcotics Detection Alert (NARCScan™)
- Density Threshold Alert (DTA)
- Threat Image Projection (TIP)
- Threat Image Projection Network (TIPNet)
- Remote Image Archive Review (NETView™)
- Network X-ray management automation and link system (NEXLink™)
- Multi-System Network Display Station (NDS)
- Automatic Image Archiving
- Enhanced Image Archiving
- Operator Training Program (OTP)
- Manual Scan
- Operator Pedestal
- Foot Mat
- Optical Operator Presence Sensor
- SmartCard Login
- Power Conditioner
- Conveyor Accessories
- Remote Workstation
- Universal Printer Support

¹ Stated performance as measured by Rapiscan Imaging Validation Test Kit.

² With optional replaceable cover.

With continual development of our products Rapiscan Systems reserves the right to amend specifications without notice. Product pictures are for general reference. Please note that due to US laws and regulations, not all Rapiscan products are available for sale in all countries without restriction. Please contact your Rapiscan Systems sales representative for more information.

AMERICAS, CARIBBEAN

2805 Columbia Street
Torrance,
California
90503
UNITED STATES of AMERICA

Tel: +1 310-978-1457
Fax: +1 310-349-2491

EUROPE, MIDDLE EAST, AFRICA

X-Ray House
Bonehurst Road
Salfords
Surrey RH1 5GG
UNITED KINGDOM

Tel: +44 (0) 870-7774301
Fax: +44 (0) 870-7774302

ASIA

240 Macpherson Road
#07-01 Pines Industrial Building
Singapore
348574
SINGAPORE

Tel: +65-6846-3511
Fax: +65-6743-9915



Rapiscan Systems is ISO 9001:2008 and ISO 14001:2004 + Cor. 1:2009 Certified

sales@rapiscansystems.com
www.rapiscansystems.com